

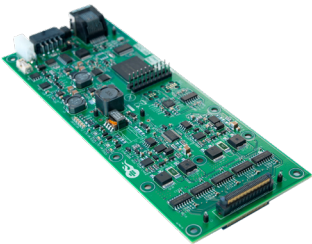
Electronics and software for FUJIFILM Dimatix™ printheads

Robust, cost-effective solutions

- trusted and proven Dimatix partner since 2006
- modular components for scalable implementation
- powerful data path and application software
- off-the-shelf, production-ready solutions



for Samba



Meteor HDC-SB

for Samba (variable data)



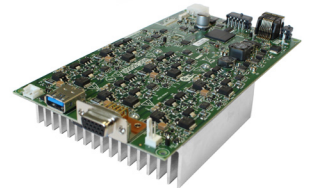
Meteor PDS-2SBZ

for StarFire SG-1024



Meteor HDC-SF

for SG600



Meteor HDC-SG600

for Galaxy, Nova, S-Class



Meteor HDC-S

for Q-Class & Polaris

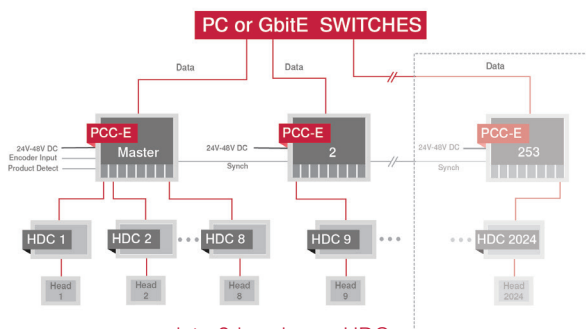


Meteor HDC-Q

Meteor's comprehensive suite of software includes SDKs, application-tuned DFEs, configuration tools, embedded RIP, screening and calibration capabilities and more.

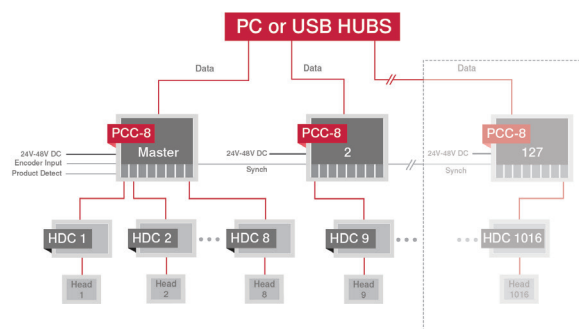
Architecture

for Samba/StarFire/Q-Class/SG600/Polaris

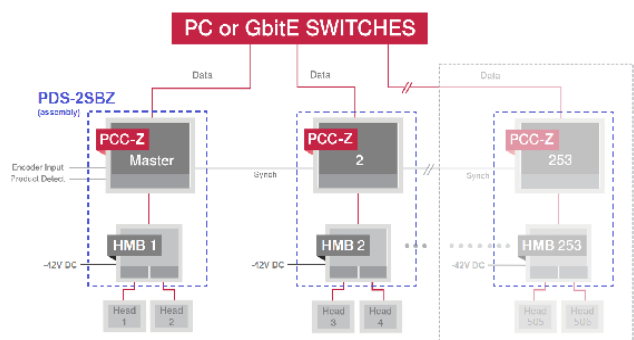


Q-Class can accommodate 2 heads per HDC

for Galaxy/Nova/S-Class



for Samba (variable data)



| Dimatix Printhead | Meteor Product | Meteor Model Number | Physical Dimensions (mm) |
|--------------------------|------------------------------------|---------------------|--------------------------|
| Samba | Head Driver | HDC-SB | 175 x 70 x 25 |
| | GbitE Print Controller | PCC-E | 160 x 100 x 21 |
| | Print Driver Stack (variable data) | PDS-2SBZ | 217 x 85 x 46 |
| SG600 | Head Driver | HDC-SG600 | 180 x 100 x 15 |
| StarFire SG-1024 | Head Driver | HDC-SF | 183 x 100 x 16 |
| | GbitE Print Controller | PCC-E | 160 x 100 x 21 |
| | USB2 Print Controller | PCC-8 | 160 x 100 x 34 |
| QS-256, QE-256 (Q-Class) | Head Driver | HDC-Q | 140 x 100 x 17 |
| | GbitE Print Controller | PCC-E | 160 x 100 x 21 |
| | USB2 Print Controller | PCC-8 | 160 x 100 x 34 |
| PQ-512 (Polaris) | Head Driver | HDC-PQ | HDC-Q + adaptor board |
| | GbitE Print Controller | PCC-E | 160 x 100 x 21 |
| | USB2 Print Controller | PCC-8 | 160 x 100 x 34 |
| Galaxy, Nova, S-Class | Head Driver | HDC-S | 129 x 89 x 20 |
| | USB2 Print Controller | PCC-8 | 160 x 100 x 34 |

*Specifications may change without prior notice.

ALSO FROM METEOR

software • drop optimisation systems • ancillary components • evaluation kits

Meteor Inkjet Ltd is a leading independent supplier of industrial inkjet electronics, software, tools and services. Working closely with all major industrial inkjet printhead manufacturers, Meteor offers production-ready solutions to printer OEMs and print system builders world-wide.



Meteor Inkjet Ltd
 Harston Mill, Royston Road, Cambridge, CB22 7GG
 United Kingdom
 +44 345 8440012
www.meteorinkjet.com enquiries@meteorinkjet.com