

Electronics and software for Xaar™ printheads

Robust, cost-effective solutions

- trusted and proven Xaar partner since 2008
- modular components for scalable implementation
- powerful data path and application software
- off-the-shelf, production-ready solutions



CERAMIC TILES
CODING & MARKING
LABELS
PACKAGING
PRODUCT DECORATION
FUNCTIONAL & 3D

for 2001 GS12 C,
2001+ C, 2001+ U



Meteor HDC-2H2001

for 1003 C, 1003 U,
1003 AMp, 1003 AMx



Meteor HDC-HLM

for 1201 (compact)



Meteor PDS-2H1201Y

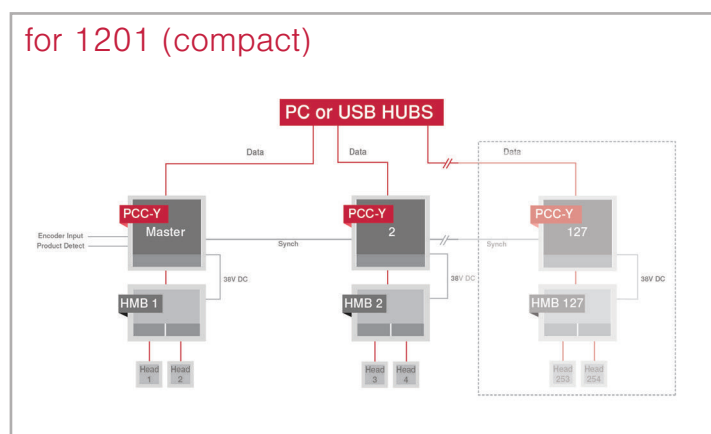
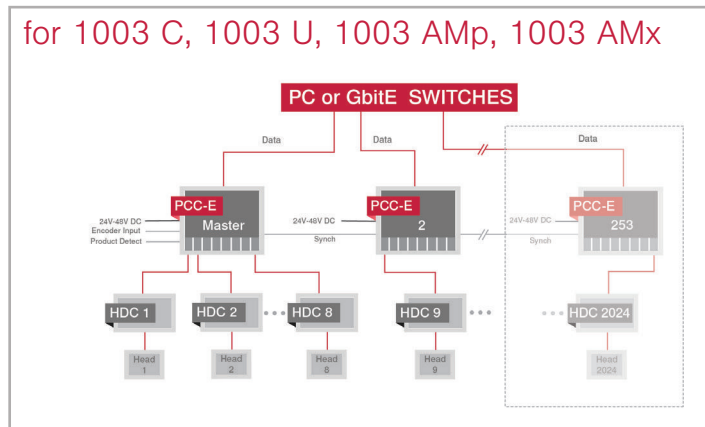
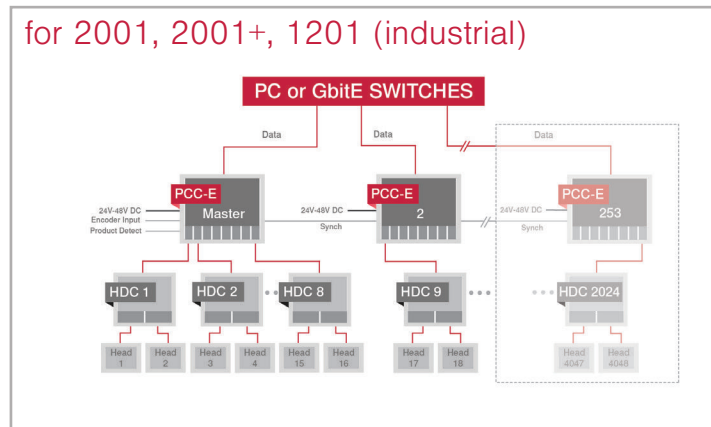
for 1201 (industrial)



Meteor HDC-H1201

Software options allow development of a bespoke industrial digital front end (DFE) using a Meteor Software Development Kit (SDK) or licensing an application-tuned DFE.

Architecture



Xaar Printhead	Meteor Product	Meteor Model Number	Physical Dimensions (mm)
2001 GS12C, 2001+ C, 2001+ U	Head Driver GbitE Print Controller	HDC-2H2001 PCC-E	140 x 150 x 22 160 x 100 x 21
1003 C, 1003 U, 1003 AMP, 1003 AMx	Head Driver GbitE Print Controller	HDC-HLM PCC-E	88 x 97 x 16 160 x 100 x 21
1201 (industrial)	Head Driver GbitE Print Controller	HDC-H-1201 PCC-E	160 x 100 x 21 160 x 100 x 21
1201 (compact)	Print Driver Stack	PDS-2H1201Y	160 x 100 x 34

*Specifications may change without prior notice.

ALSO FROM METEOR

drop optimisation systems • ancillary components • evaluation kits

Meteor Inkjet Ltd is a leading independent supplier of industrial inkjet printhead solutions. Working closely with all major industrial inkjet printhead manufacturers, Meteor supplies production-ready electronics and software to printer OEMs and print system builders world-wide.



Meteor Inkjet Ltd
 Harston Mill, Royston Road, Cambridge, CB22 7GG
 United Kingdom
 ☎ +44 345 8440012
 www.meteorinkjet.com ✉ enquiries@meteorinkjet.com