

Electronics and software for Kyocera™ printheads

Robust, cost-effective solutions

- trusted and proven Kyocera partner since 2010
- modular components for scalable implementation
- powerful data path and application software
- off-the-shelf, production-ready solutions



for KJ4B-1200



Meteor PDC-K1200

for KJ4C-0360



Meteor HDC-K360

TEXTILES
SIGNS & DISPLAYS
CERAMIC TILES
LABELS
PACKAGING
COMMERCIAL PRINT

for KJ4A-0300,
KJ4B-0300,
KJ4B-0150



Meteor PDC-2K300

for KJ4A-RH,
KJ4B-YH



Meteor PDC-2K600

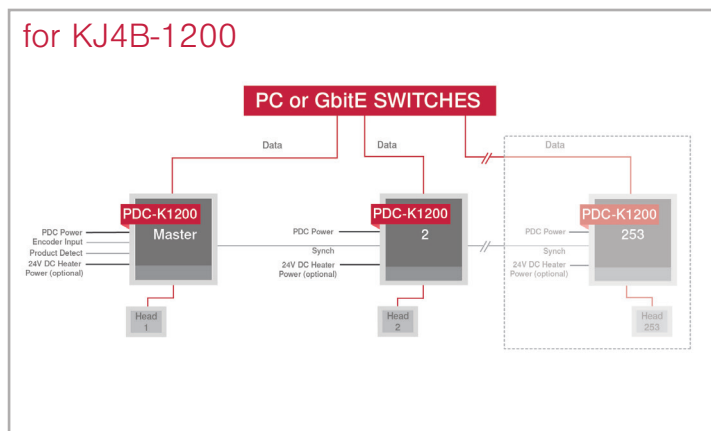
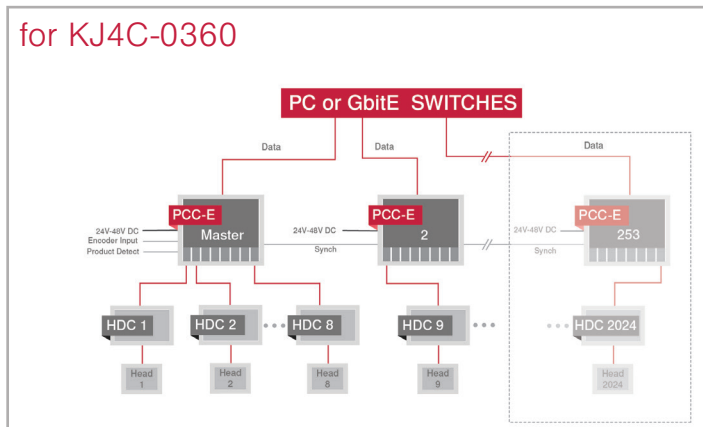
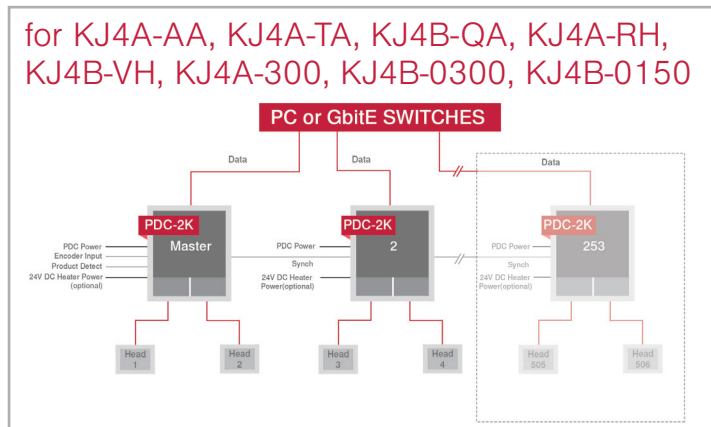
for KJ4A-AA,
KJ4A-TA, KJ4B-QA



Meteor PDC-2KA600

Meteor's comprehensive suite of software includes SDKs, application-tuned DFEs, configuration tools, embedded RIP, screening and calibration capabilities and more.

Architecture



Kyocera Printhead	Meteor Product	Meteor Model Number	Physical Dimensions (mm)
KJ4C-0360	Head Driver	HDC-K360	160 x 70 x 15
	GbitE Print Controller	PCC-E	160 x 100 x 21
KJ4A-0300, KJ4B-0300, KJ4B-0150	Print Driver	PDC-2K300	160 x 100 x 21
	Drop Viewer	DV-2K3	
KJ4A-AA, KJ4A-TA, KJ4B-QA	Print Driver	PDC-2KA600	160 x 100 x 21
	Drop Viewer	DV-K	
KJ4A-RH, KJ4B-YH	Print Driver	PDC-2K600	160 x 100 x 21
	Drop Viewer	DV-2K6	
KJ4B-1200	Print Driver	PDC-K1200	160 x 100 x 21
	Drop Viewer	DV-K12	

*Specifications may change without prior notice.

ALSO FROM METEOR

software • drop optimisation systems • ancillary components

Meteor Inkjet Ltd is a leading independent supplier of industrial inkjet electronics, software, tools and services. Working closely with all major industrial inkjet printhead manufacturers, Meteor offers production-ready solutions to printer OEMs and print system builders world-wide.



Meteor Inkjet Ltd
 Harston Mill, Royston Road, Cambridge, CB22 7GG
 United Kingdom
 +44 345 8440012
www.meteorinkjet.com enquiries@meteorinkjet.com