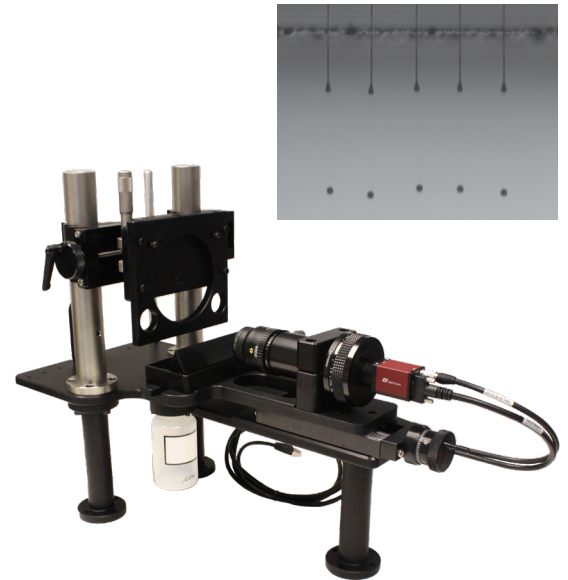


DropWatching Systems

Meteor DropWatchers are turnkey systems for evaluating and optimising printhead and ink combinations using production-ready electronics that can be transferred straight to manufacturing.

Visualise and characterise drops in flight and adjust waveform parameters using live feedback.

- from the leading supplier of industrial inkjet printhead driving solutions
- essential tool for waveform characterisation and development
- supports all major industrial inkjet printheads



Easy to use

- PC-based software with the intuitive and familiar Meteor interface
- Straightforward printhead mounting and alignment
- Simple calibration
- Captures and records setup data and annotated observations of drops in flight

Cost Effective

- Standard Meteor drive electronics for lab results that are directly applicable to the production environment
- Interchangeable printhead mounts and drive electronics
- Optional ink supplies (from simple syringe to recirculating)

Small Footprint

- Ideal for lab environments where space is at a premium
- DropWatcher and printhead waveform development tool driven by a single Windows 10 PC

Real-Time Analysis

- Live editing of waveform shape, voltage and grey level
- Double-strobe drop velocity and volume measurement with report-oriented data capture
- Direct observation of nozzle crosstalk and duty cycle
- Overlays for calibrated measurement at user defined throw distances

Printhead Evaluation Kit

Kit contains*:

- 2064 x 1544 GigE camera, 3-axes mount, optics and high power LED strobe
- Live waveform editing and drop visualisation software
- DropWatcher Control Unit (DCU)
- DropWatcher Interface Unit (DIU)
- Printhead-specific Head Driver Unit (HDU)
- Printhead-specific head mount
- Detachable waste fluid reservoir
- Power supplies and cables

Optional extras:

- Drive electronics and mounts for additional printheads
- Ink supplies (from simple syringe to sophisticated recirculating)



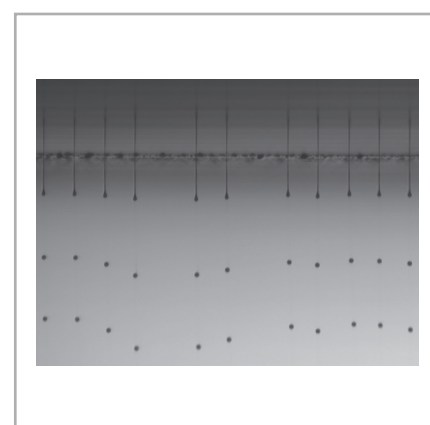
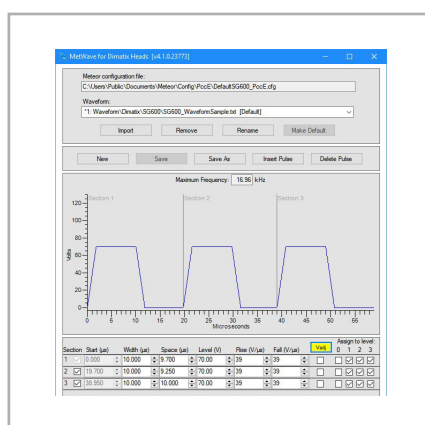
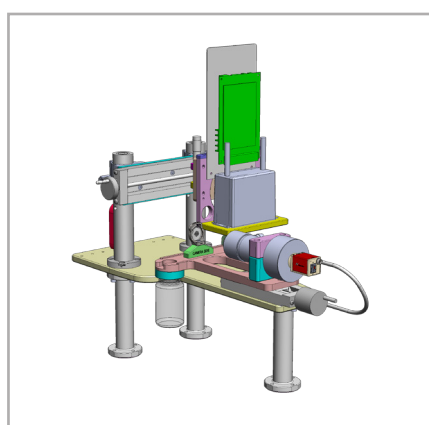
DIC, DCU and HDU



Mounts for all major printheads

* Printheads available directly from printhead manufacturers. Contact Meteor for referral.

Excludes Windows 10 PC, ink, printhead and vacuum extraction.



ALSO FROM METEOR

printhead drive electronics • software • ancillary components

Meteor Inkjet Ltd is a leading independent supplier of industrial inkjet printhead solutions. Working closely with all major industrial inkjet printhead manufacturers, Meteor supplies production-ready electronics and software to printer OEMs and print system builders world-wide.



Meteor Inkjet Ltd
 Harston Mill, Royston Road, Cambridge, CB22 7GG
 United Kingdom
 +44 345 8440012
www.meteorinkjet.com enquiries@meteorinkjet.com