

Electronics and software for Toshiba TEC™ printheads

Robust, cost-effective solutions

- trusted and proven Toshiba TEC partner since 2005
- modular components for scalable implementation
- powerful data path and application software
- off-the-shelf, production-ready solutions

TOSHIBA
Leading Innovation >>>

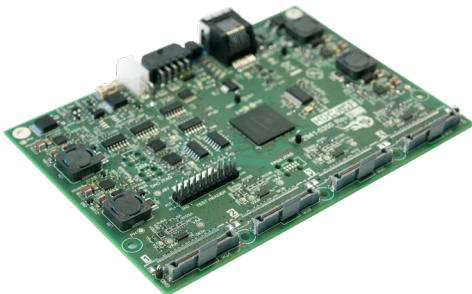
for CF3



Meteor HDC-2TT3

CERAMIC TILES
CODING AND MARKING
LAMINATED WOOD
PACKAGING
LABELS
SIGNS & DISPLAYS

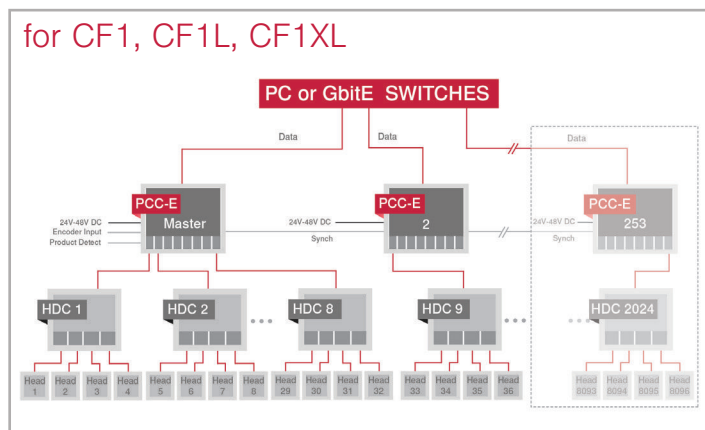
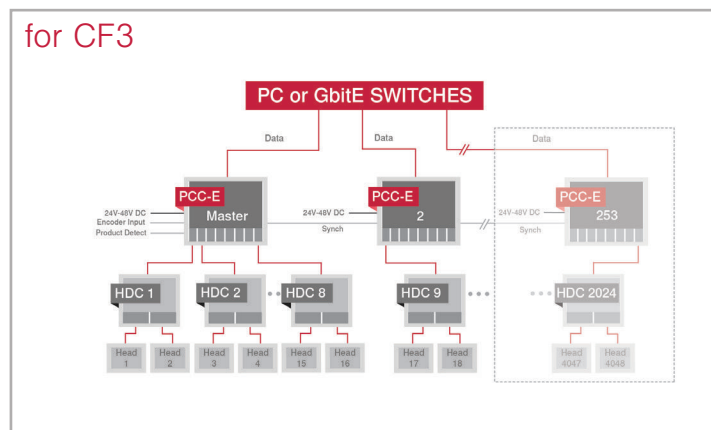
for CF1, CF1L, CF1XL



Meteor HDC-4CF1

Software options allow development of a bespoke industrial digital front end (DFE) using a Meteor Software Development Kit (SDK) or licensing an application-tuned DFE.

Architecture



Toshiba TEC Printhead	Meteor Product	Meteor Model Number	Physical Dimensions (mm)
CF3	Head Driver	HDC-2TT3	175 x 70 x 15
	GbitE Print Controller	PCC-E	160 x 100 x 21
	Drop Viewer	DV-TT3	
CF1, CF1L, CF1XL	Head Driver	HDC-4CF1	140 x 100 x 19
	GbitE Print Controller	PCC-E	160 x 100 x 21
	Drop Viewer	DV-TT1	

*Specifications may change without prior notice.

ALSO FROM METEOR

drop optimisation systems • ancillary components

Meteor Inkjet Ltd is a leading independent supplier of industrial inkjet printhead solutions. Working closely with all major industrial inkjet printhead manufacturers, Meteor supplies production-ready electronics and software to printer OEMs and print system builders world-wide.



Meteor Inkjet Ltd
 Harston Mill, Royston Road, Cambridge, CB22 7GG
 United Kingdom
 +44 345 8440012
www.meteorinkjet.com enquiries@meteorinkjet.com