

# Electronics and software for FUJIFILM Dimatix™ printheads

## Robust, cost-effective solutions

- trusted and proven Dimatix partner since 2006
- modular components for scalable implementation
- powerful data path and application software
- off-the-shelf, production-ready solutions



for GMA 33



Meteor PDC-6GMA

for GMA 99



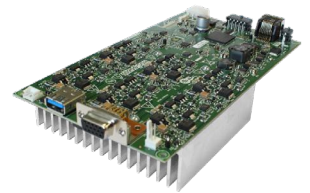
Meteor HDC-GMA99

for Samba



Meteor HDC-SB

for Dimatix SG600



Meteor HDC-SG600

for StarFire SG-1024



Meteor HDC-SF

for Galaxy, Nova,  
S-Class



Meteor HDC-S

for QS-256 &  
QE-256 (Q-Class)



Meteor HDC-Q

for PQ-512 (Polaris)

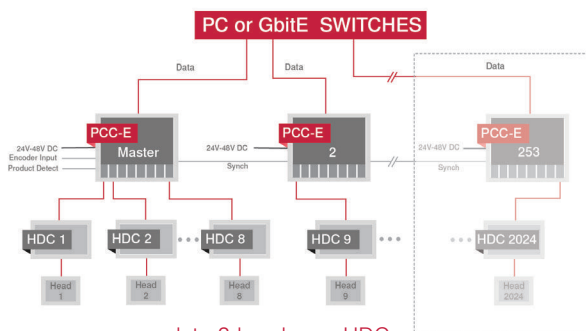


Meteor HDC-PQ

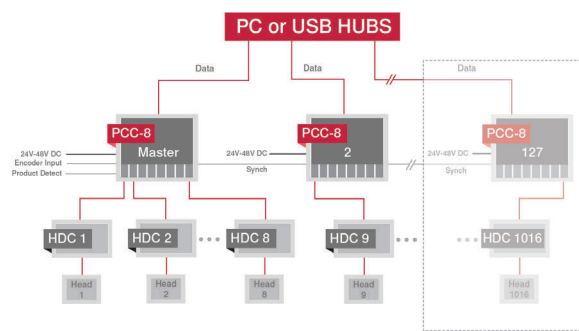
Software options allow development of a bespoke industrial digital front end (DFE) using a Meteor Software Development Kit (SDK) or licensing an application-tuned DFE.

# Architecture

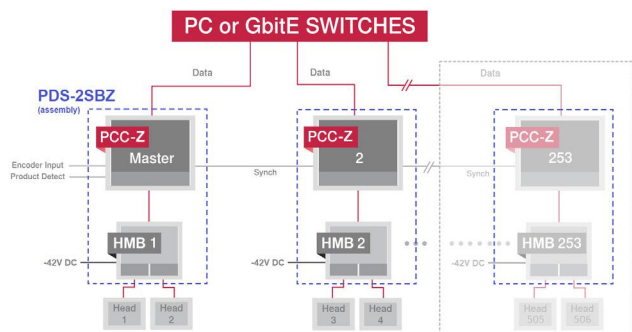
for Samba/StarFire/Q-Class/SG600/Polaris



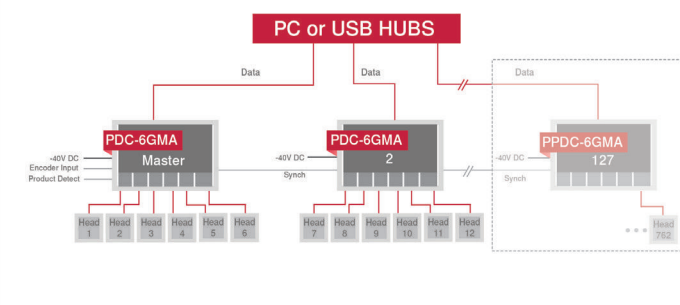
for Galaxy/Nova/S-Class



for Samba



for GMA 33



Dimatix Printhead	Meteor Product	Meteor Model Number	Physical Dimensions (mm)
GMA 33	Print Driver	PDC-6GMA	190 x 185 x 13
GMA 99	Head Driver	HDC-6MA99	175 x 70 x 21
Samba	GbitE Print Controller	PCC-E	160 x 100 x 21
	Head Driver	HDC-SB	175 x 70 x 25
	Print Driver Stack	PDS-2SBZ	217 x 85 x 46
SG600	Head Driver	HDC-SG600	180 x 100 x 15
StarFire SG-1024	Head Driver	HDC-SF	183 x 100 x 16
	GbitE Print Controller	PCC-E	160 x 100 x 21
	USB2 Print Controller	PCC-8	160 x 100 x 34
QS-256, QE-256 (Q-Class)	Head Driver	HDC-Q	140 x 100 x 17
	GbitE Print Controller	PCC-E	160 x 100 x 21
	USB2 Print Controller	PCC-8	160 x 100 x 34
PQ-512 (Polaris)	Head Driver	HDC-PQ	HDC-Q + adaptor board
	GbitE Print Controller	PCC-E	160 x 100 x 21
	USB2 Print Controller	PCC-8	160 x 100 x 34
Galaxy, Nova, S-Class	Head Driver	HDC-S	129 x 89 x 20
	GbitE Print Controller	PCC-E	160 x 100 x 21
	USB2 Print Controller	PCC-8	160 x 100 x 34

\*Specifications may change without prior notice.

## ALSO FROM METEOR

drop optimisation systems • ancillary components • evaluation kits

Meteor Inkjet Ltd is a leading independent supplier of industrial inkjet printhead solutions. Working closely with all major industrial inkjet printhead manufacturers, Meteor supplies production-ready electronics and software to printer OEMs and print system builders world-wide.



Meteor Inkjet Ltd  
 Harston Mill, Royston Road, Cambridge, CB22 7GG  
 United Kingdom  
 +44 345 8440012  
 www.meteorinkjet.com enquiries@meteorinkjet.com