

## Electronics and software for RICOH™ printheads

### Robust, cost-effective solutions

- trusted and proven Ricoh partner since 2011
- modular components for scalable implementation
- powerful data path and application software
- off-the-shelf, production-ready solutions

**RICOH**  
imagine. change.

for GH2220



Meteor PDS-2GH2220Y

for MH5220, MH5420, MH5221F, MH5440,  
MH5441, MH5421, MH5421F & MH5421MF



Meteor HDC-R5

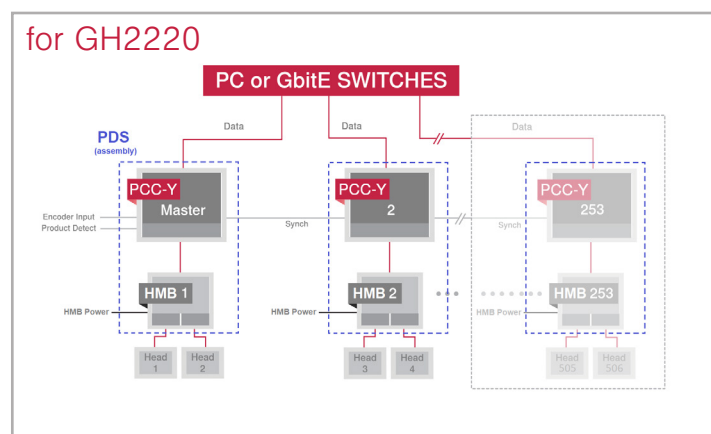
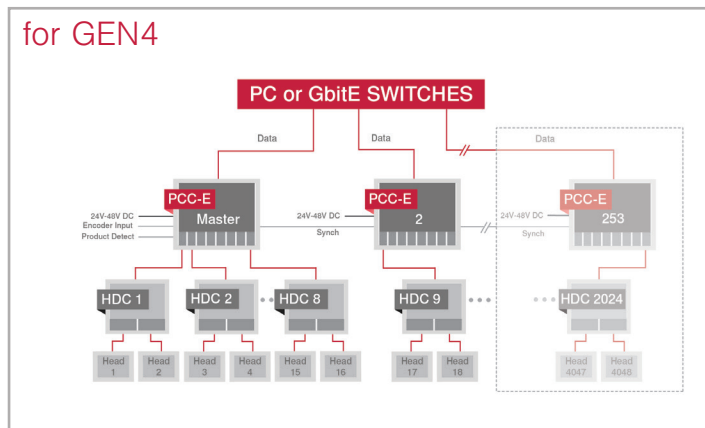
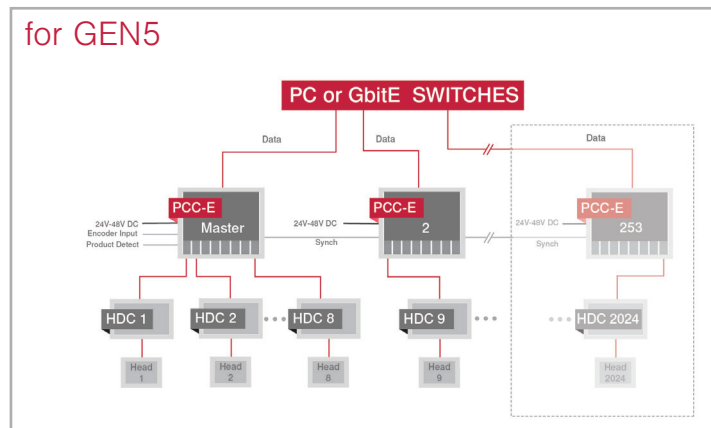
for MH2610F, MH2810F, MH2910,  
MH2420, MH2620 & MH2820



Meteor HDC-R4

Meteor's comprehensive suite of software includes SDKs, application-tuned DFEs, configuration tools, embedded RIP, screening and calibration capabilities and more.

# Architecture



Ricoh Printhead	Meteor Product	Meteor Model Number	Physical Dimensions (mm)
GH2220	Print Driver	PDC-2GH2220Y	100 x 100 x 14
MH5420, MH5421, MH5440, MH5220, MH5421MF, MH5221F, MH5441, MH5421F	Head Driver Gen5	HDC-R5	160 x 100 x 24
	GbitE Print Controller	PCC-E	160 X 100 X 29
	Drop Tuner Gen5	DT-R5	
MH2420, MH2910, MH2620, MH2820, MH2610F, MH2810F	Head Driver Gen4	HDC-R4	165 x 100 x 18
	GbitE Print Controller	PCC-E	160 x 100 x 29
	Drop Tuner Gen4	DT-R4	

\*Specifications may change without prior notice.

## ALSO FROM METEOR

software • drop optimisation systems • ancillary components

Meteor Inkjet Ltd is a leading independent supplier of industrial inkjet electronics, software, tools and services. Working closely with all major industrial inkjet printhead manufacturers, Meteor offers production-ready solutions to printer OEMs and print system builders world-wide.



Meteor Inkjet Ltd  
 Harston Mill, Royston Road, Cambridge, CB22 7GG  
 United Kingdom  
 ☎ +44 345 8440012  
 www.meteorinkjet.com ✉ enquiries@meteorinkjet.com