

Electronics and software for RICOH™ printheads

Robust, cost-effective solutions

- trusted and proven Ricoh partner since 2011
- modular components for scalable implementation
- powerful data path and application software
- off-the-shelf, production-ready solutions

RICOH
imagine. change.

for GH2220 (industrial)



Meteor PDC-4GH2220

for GH2220 (compact)



Meteor PDS-2GH2220Y

for MH5220, MH5420, MH522IF, MH5440,
MH5441, MH5421, MH5421F & MH5421MF



Meteor HDC-R5

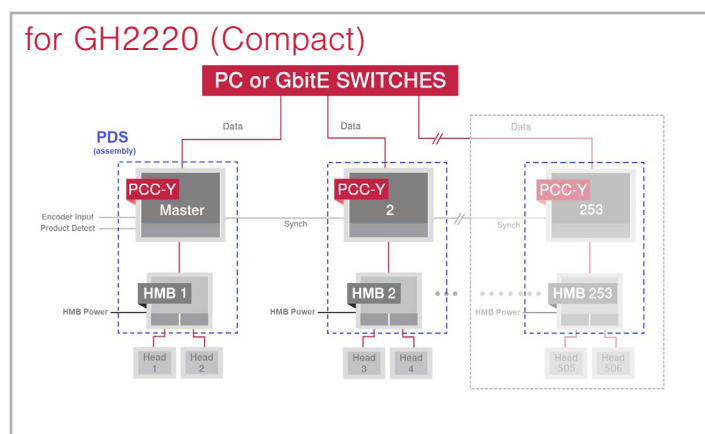
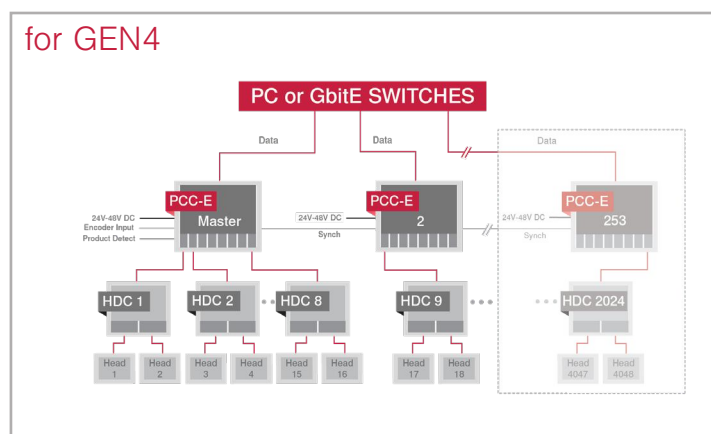
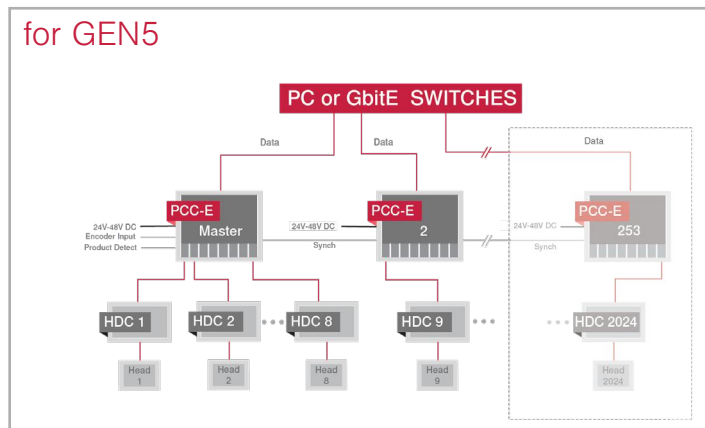
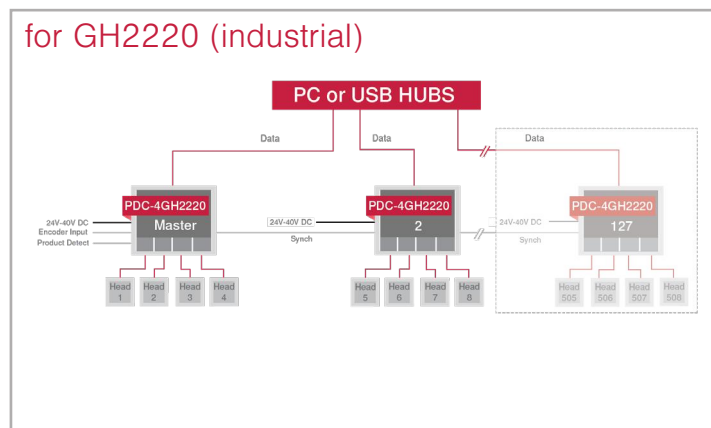
for MH2610F, MH2810F, MH2910,
MH2420, MH2620 & MH2820



Meteor HDC-R4

Software options allow development of a bespoke industrial digital front end (DFE) using a Meteor Software Development Kit (SDK) or licensing an application-tuned DFE.

Architecture



Ricoh Printhead	Meteor Product	Meteor Model Number	Physical Dimensions (mm)
GH2220 (industrial)	Print Driver	PDC-4GH2220	200 x 100 x 15
GH2220 (compact)	Print Driver	PDC-2GH2220Y	100 x 100 x 14
MH5420, MH5421, MH5440, MH5220, MH5421MF, MH5221F, MH5441, MH5421F	Head Driver Gen5 GbitE Print Controller Drop Tuner Gen5	HDC-R5 PCC-E DT-R5	160 x 100 x 24 160 X 100 X 29
MH2420, MH2910, MH2620, MH2820, MH2610F, MH2810F	Head Driver Gen4 GbitE Print Controller Drop Tuner Gen4	HDC-R4 PCC-E DT-R4	165 x 100 x 18 160 x 100 x 29

*Specifications may change without prior notice.

ALSO FROM METEOR

drop optimisation systems • ancillary components

Meteor Inkjet Ltd is a leading independent supplier of industrial inkjet printhead solutions. Working closely with all major industrial inkjet printhead manufacturers, Meteor supplies production-ready electronics and software to printer OEMs and print system builders world-wide.



Meteor Inkjet Ltd
 Harston Mill, Royston Road, Cambridge, CB22 7GG
 United Kingdom
 +44 345 8440012
www.meteorinkjet.com enquiries@meteorinkjet.com