

## Electronics and software for Kyocera™ printheads

### Robust, cost-effective solutions

- trusted and proven Kyocera partner since 2010
- modular components for scalable implementation
- powerful data path and application software
- off-the-shelf, production-ready solutions



for KJ4B-1200



Meteor PDC-K1200

for KJ4C-0360



Meteor HDC-K360

TEXTILES  
SIGNS & DISPLAYS  
CERAMIC TILES  
LABELS  
PACKAGING  
COMMERCIAL PRINT

for KJ4A-0300,  
KJ4B-0300,  
KJ4B-0150



Meteor PDC-2K300

for KJ4A-RH,  
KJ4B-YH



Meteor PDC-2K600

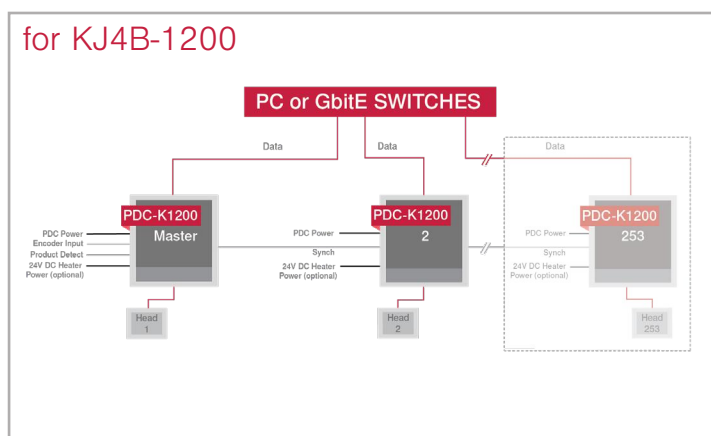
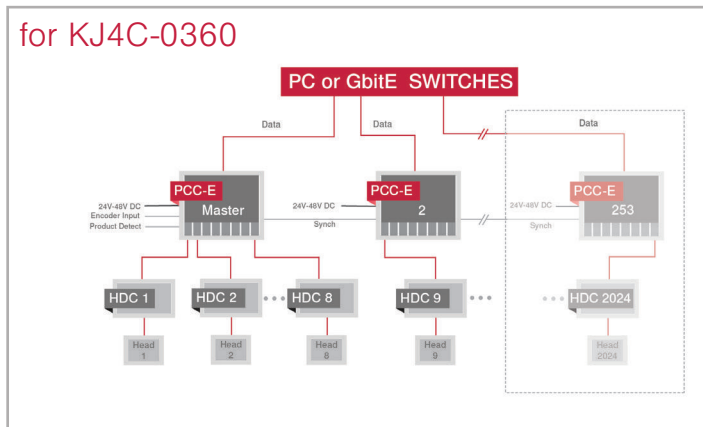
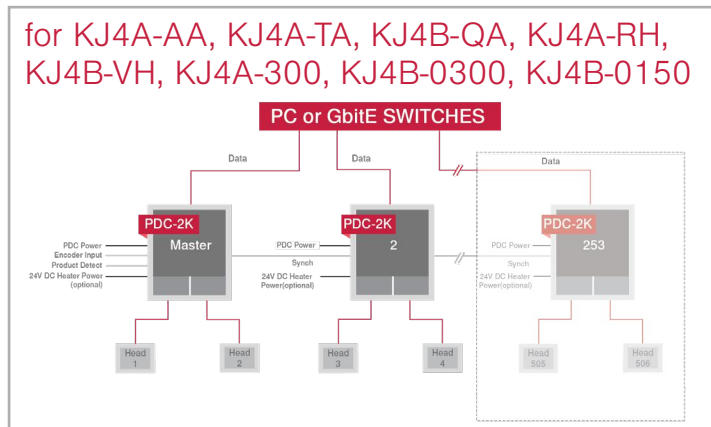
for KJ4A-AA,  
KJ4A-TA, KJ4B-QA



Meteor PDC-2KA600

Software options allow development of a bespoke industrial digital front end (DFE) using a Meteor Software Development Kit (SDK) or licensing an application-tuned DFE.

# Architecture



Kyocera Printhead	Meteor Product	Meteor Model Number	Physical Dimensions (mm)
KJ4C-0360	Head Driver	HDC-K360	160 x 70 x 15
KJ4A-0300, KJ4B-0300, KJ4B-0150	GbitE Print Controller	PCC-E	160 x 100 x 21
	Print Driver	PDC-2K300	160 x 100 x 21
KJ4A-AA, KJ4A-TA, KJ4B-QA	Drop Viewer	DV-2K3	
	Print Driver	PDC-2KA600	160 x 100 x 21
KJ4A-RH, KJ4B-YH	Drop Viewer	DV-K	
	Print Driver	PDC-2K600	160 x 100 x 21
KJ4B-1200	Drop Viewer	DV-2K6	
	Print Driver	PDC-K1200	160 x 100 x 21
	Drop Viewer	DV-K12	

\*Specifications may change without prior notice.

## ALSO FROM METEOR

drop optimisation systems • ancillary components

Meteor Inkjet Ltd is a leading independent supplier of industrial inkjet printhead solutions. Working closely with all major industrial inkjet printhead manufacturers, Meteor supplies production-ready electronics and software to printer OEMs and print system builders world-wide.



Meteor Inkjet Ltd  
 Harston Mill, Royston Road, Cambridge, CB22 7GG  
 United Kingdom  
 +44 345 8440012  
[www.meteorinkjet.com](http://www.meteorinkjet.com) enquiries@meteorinkjet.com