

## Electronics and software for KONICA MINOLTA™ printheads

### Robust, cost-effective solutions

- trusted and proven Konica Minolta partner
- modular components for scalable implementation
- powerful data path and application software
- off-the-shelf, production-ready solutions

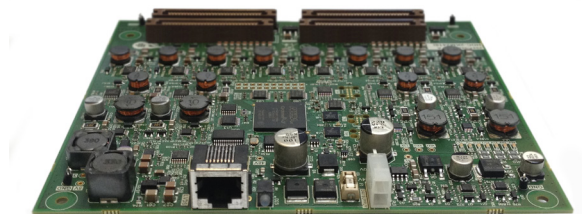


for KM1024a



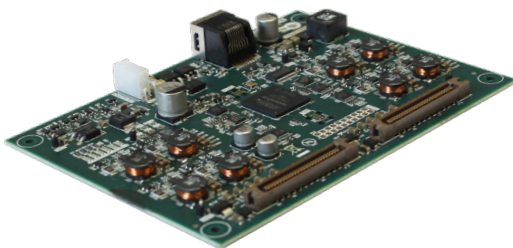
Meteor HDC-KM1024A

for KM1024i, KM1280i & KM1800i



Meteor HDC-2KM2418i

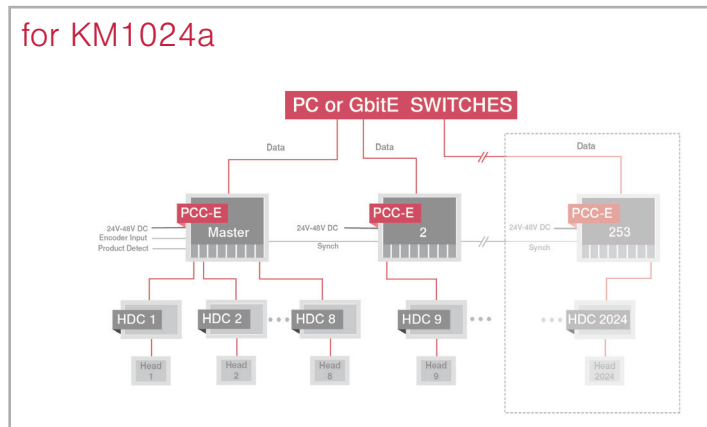
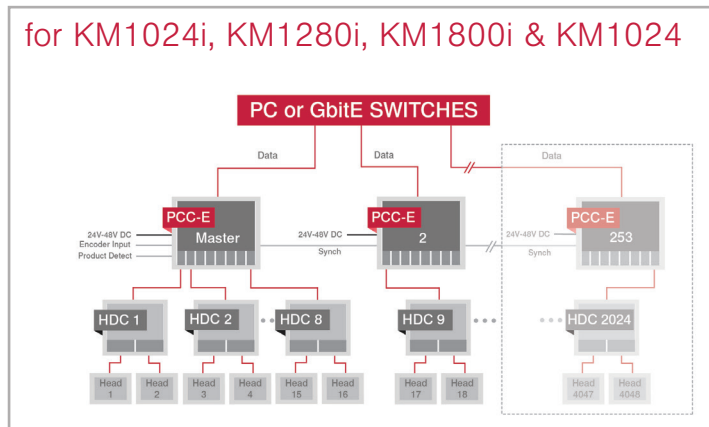
for KM1024



Meteor HDC-2KM1024

Meteor's comprehensive suite of software includes SDKs, application-tuned DFEs, configuration tools, embedded RIP, screening and calibration capabilities and more.

# Architecture



Konica Minolta Printhead	Meteor Product	Meteor Model Number	Physical Dimensions (mm)
KM1024iSHB, KM1024iMHE-D, KM1024iLHE-30, KM1024iMAE-C, KM1024iSAE-C	Head Driver	HDC-2KM2418i	150 x 130 x 14
	GbitE Print Controller	PCC-E	160 x 100 x 21
	Drop Tuner	DT-KM24i	
KM1280iMHH-S	Head Driver	HDC-2KM2418i	150 x 130 x 14
	GbitE Print Controller	PCC-E	160 x 100 x 21
	Drop Tuner	DT-KM1280i	
KM1800iSHC-C	Head Driver	HDC-2KM2418i	150 x 130 x 14
	GbitE Print Controller	PCC-E	160 x 100 x 21
	Drop Tuner	DT-KM18i	
KM1024LHB, KM1024LNB, KM1024MHB, KM1024MNB, KM1024MAB, KM1024SHB, KM1024SNB	Head Driver	HDC-2KM1024	140 x 105 x 14
	GbitE Print Controller	PCC-E	160 x 100 x 21
	Drop Tuner	DT-KM24	
KM1024aSHE, KM1024aLHG-RC	Head Driver	HDC-KM1024A	250 x 70 x 19
	GbitE Print Controller	PCC-E	160 x 100 x 21
	Drop Tuner	DT-KM24A	

\*Specifications may change without prior notice.

## ALSO FROM METEOR

software • drop optimisation systems • waveform development services

Meteor Inkjet Ltd is a leading independent supplier of industrial inkjet electronics, software, tools and services. Working closely with all major industrial inkjet printhead manufacturers, Meteor offers production-ready solutions to print system builders world-wide.



Meteor Inkjet Ltd  
 Harston Mill, Royston Road,  
 Cambridge, CB22 7GG UK  
 enquiries@meteorinkjet.com  
 +44 345 8440012  
 www.meteorinkjet.com

