

# Electronics and software for KONICA MINOLTA™ printheads

## Robust, cost-effective solutions

- trusted and proven Konica Minolta partner
- modular components for scalable implementation
- powerful data path and application software
- off-the-shelf, production-ready solutions



KONICA MINOLTA

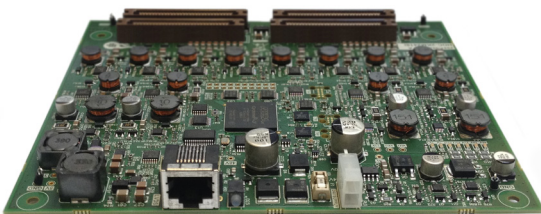
for M600SH & M600SH-2C



Meteor HDC-2KM24M

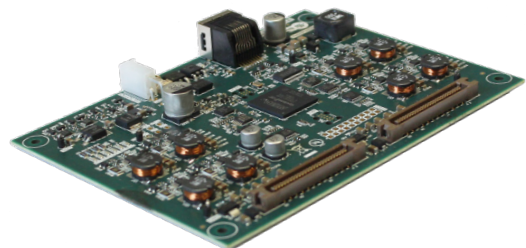
PACKAGING  
FUNCTIONAL FLUID DEPOSITION  
LABELS  
PRODUCT DECORATION  
TEXTILES  
CERAMIC TILES

for KM1024i & KM1800i



Meteor HDC-2KM2418i

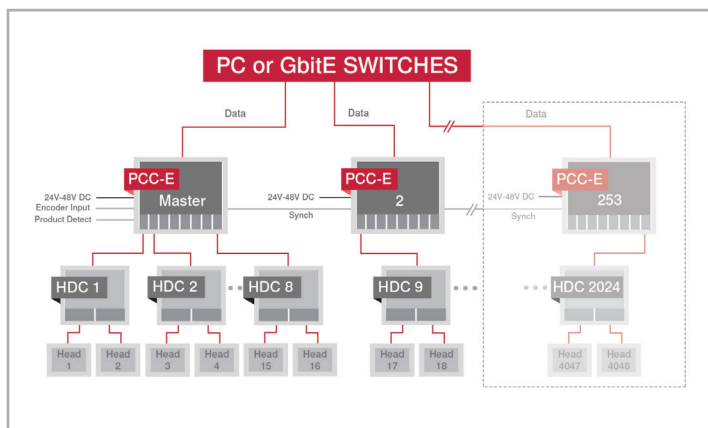
for KM1024



Meteor HDC-2KM1024

Meteor's comprehensive suite of software includes SDKs, application-tuned DFEs, configuration tools, embedded RIP, screening and calibration capabilities and more.

## Architecture



Konica Minolta Printhead	Meteor Product	Meteor Model Number	Physical Dimensions (mm)
KM1024i	Head Driver 1024i/1800i	HDC-2KM2418i	150 x 130 x 14
	GbitE Print Controller	PCC-E	160 x 100 x 21
KM1800i	Head Driver 1024i/1800i	HDC-2KM2418i	150 x 130 x 14
	GbitE Print Controller	PCC-E	160 x 100 x 21
M600SH, M600SH-2C	Head Driver MEMS	HDC-2KM24M	200 x 85 x 14
	GbitE Print Controller	PCC-E	160 x 100 x 21
KM1024	Head Driver 1024	HDC-2KM0124	140 x 105 x 14
	GbitE Print Controller	PCC-E	160 x 100 x 21

\*Specifications may change without prior notice.

### ALSO FROM METEOR

software • drop optimisation systems • ancillary components

Meteor Inkjet Ltd is a leading independent supplier of industrial inkjet electronics, software, tools and services. Working closely with all major industrial inkjet printhead manufacturers, Meteor offers production-ready solutions to printer OEMs and print system builders world-wide.



Meteor Inkjet Ltd  
 Harston Mill, Royston Road, Cambridge, CB22 7GG  
 United Kingdom  
 ☎ +44 345 8440012  
 www.meteorinkjet.com ✉ enquiries@meteorinkjet.com