

Electronics and software for Xaar™ printheads

Robust, cost-effective solutions

- trusted and proven Xaar partner since 2008
- modular components for scalable implementation
- powerful data path and application software
- off-the-shelf, production-ready solutions

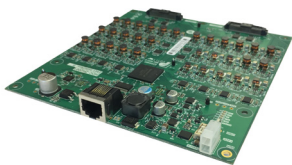


Specially tailored products

- full support for Xaar's High Laydown Technology
- evaluation kit for the 1201 printhead developed in collaboration with Meteor and sold by Xaar
- Meteor DropWatching systems for 2001, 1003 and 1201 printheads

CERAMIC TILES
CODING & MARKING
LABELS
PACKAGING
PRODUCT DECORATION
FUNCTIONAL & 3D

for 2001 GS12 C,
2001+ C, 2001+ U



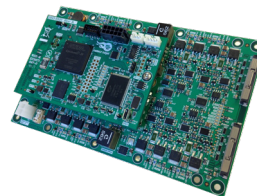
Meteor HDC-2H2001

for 1003 C, 1003 U,
1003 AMp, 1003 AMx



Meteor HDC-HLM

for 1201 (compact)



Meteor PDS-2H1201Y

for 1201 (industrial)

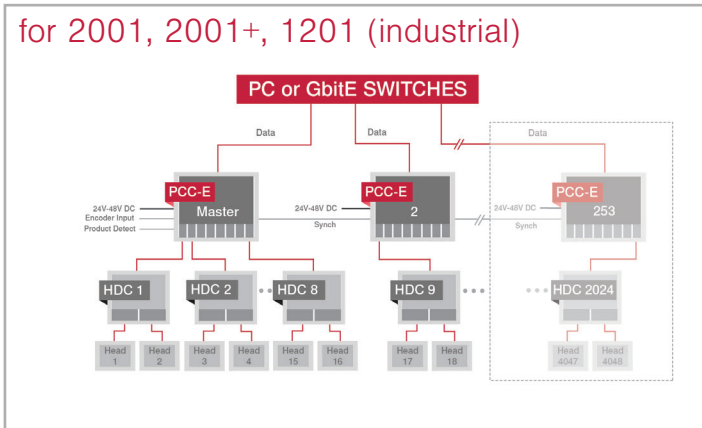


Meteor HDC-H1201

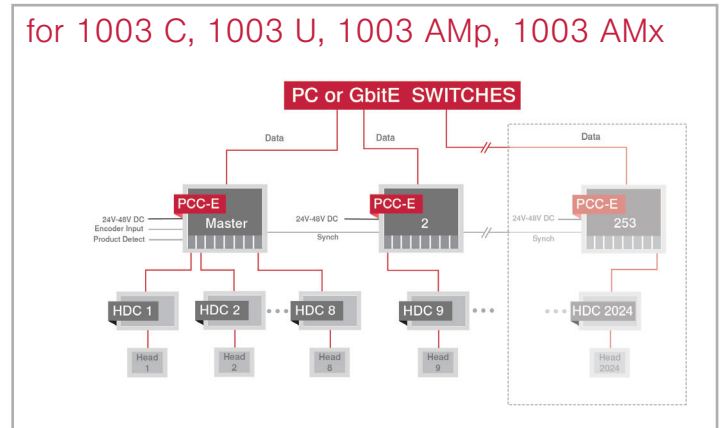
Meteor's comprehensive suite of software includes SDKs, application-tuned DFEs, configuration tools, embedded RIP, screening and calibration capabilities and more.

Architecture

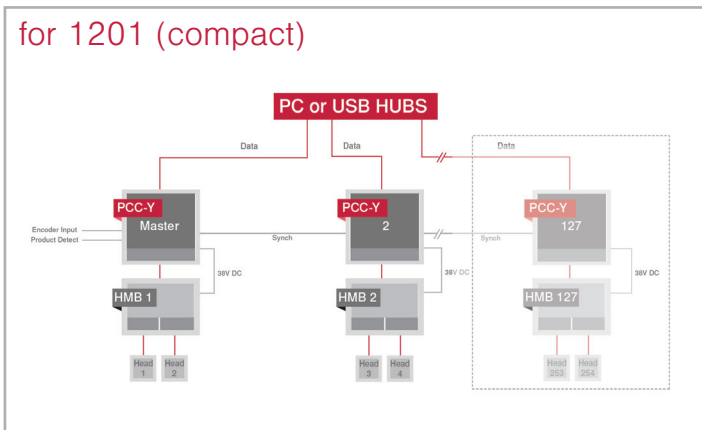
for 2001, 2001+, 1201 (industrial)



for 1003 C, 1003 U, 1003 AMP, 1003 AMx



for 1201 (compact)



Xaar Printhead	Meteor Product	Meteor Model Number	Physical Dimensions (mm)
2001 GS12C, 2001+ C, 2001+ U	Head Driver GbitE Print Controller	HDC-2H2001 PCC-E	140 x 150 x 22 160 x 100 x 21
1003 C, 1003 U, 1003 AMP, 1003 AMx	Head Driver GbitE Print Controller	HDC-HLM PCC-E	88 x 97 x 16 160 x 100 x 21
1201 (industrial)	Head Driver GbitE Print Controller	HDC-H-1201 PCC-E	160 x 100 x 19 160 x 100 x 21
1201 (compact)	Print Driver Stack	PDS-2H1201Y	160 x 100 x 34

*Specifications may change without prior notice.

ALSO FROM METEOR

software • drop optimisation systems • ancillary components • evaluation kits

Meteor Inkjet Ltd is a leading independent supplier of industrial inkjet electronics, software, tools and services. Working closely with all major industrial inkjet printhead manufacturers, Meteor offers production-ready solutions to printer OEMs and print system builders world-wide.



Meteor Inkjet Ltd
 Harston Mill, Royston Road, Cambridge, CB22 7GG
 United Kingdom
 +44 345 8440012
www.meteorinkjet.com enquiries@meteorinkjet.com